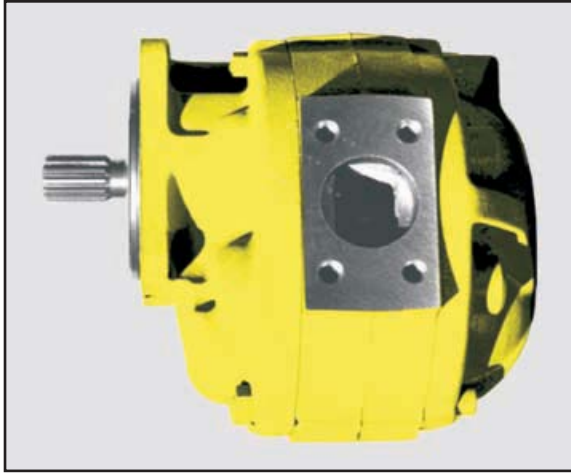


Model	3115	3120
Displacement [ccm/rev]	131,6	175,3
Rated pressure [MPa]	pumps 17,5 motors 15,5	
Max speed [rpm]	pumps 2700 motors 3000	
Max torque motors [Nm]	324	389

- Seal design
- Dimensions data
- Drive shaft
- Mounting flange
- Ports

HOW TO ORDER

P-PUMP M-MOTOR	DESIGN LEVEL 1- without 2 or 3	SEAL DESIGN	BEARINGS roller - without plain - P	SIZE	DRIVE SHAFTS	FLANGE	PORTS	Rotation A- anticlockwise C- clockwise D- birotation
P		C		3115	C	5	B26	C
P M		A C	roller	3115 3120	B C AP Q	5	B25 B26	A C

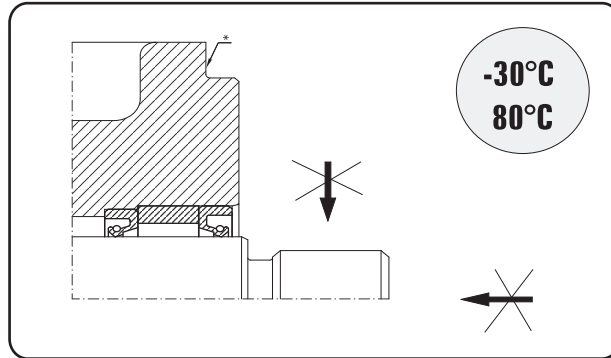


Model	3120	3125	3130	3135
Displacement [ccm/rev]	175,3	217,9	263,8	306,4
Rated pressure [MPa]	pumps 17,5 motors 15,5			
Max speed [rpm]	pumps 2700 motors 3000			
Max torque motors [Nm]	389	480	540	560

- Seal design
- Dimensions data
- Drive shaft
- Mounting flange
- Ports

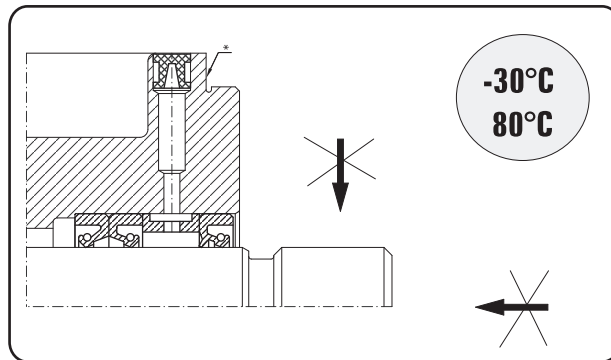
HOW TO ORDER

P-PUMP M-MOTOR	DESIGN LEVEL 1- without 2 or 3	SEAL DESIGN	BEARINGS roller - without plain - P	SIZE	DRIVE SHAFTS	FLANGE	PORTS	Rotation A- anticlockwise C- clockwise D- birotation
P	3	C		3125	C	5	B26	C
P M	3	A C	roller	3120	B C AP G Q	5	B25 B26	A C D
	3			3125				
	3			3130				
	3			3135				



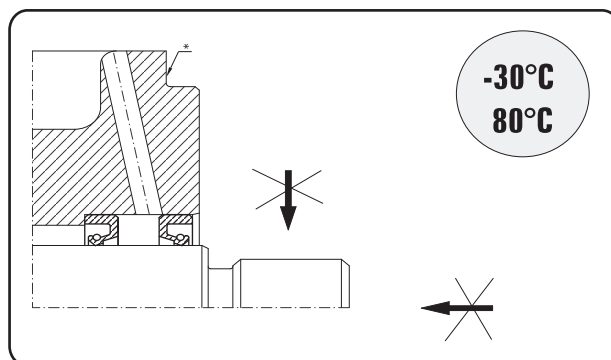
code A 3100 Model 1,3

Suitable for drives with limited radial load



code C 3100 Model 1

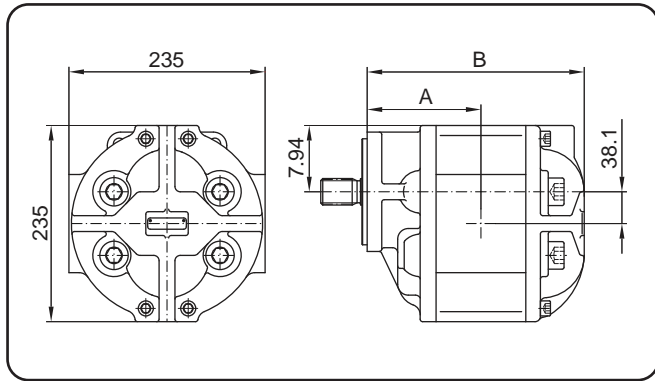
Visible-bleed drilling Suitable for drives with no load for direct mounting on torque converters and gear boxes



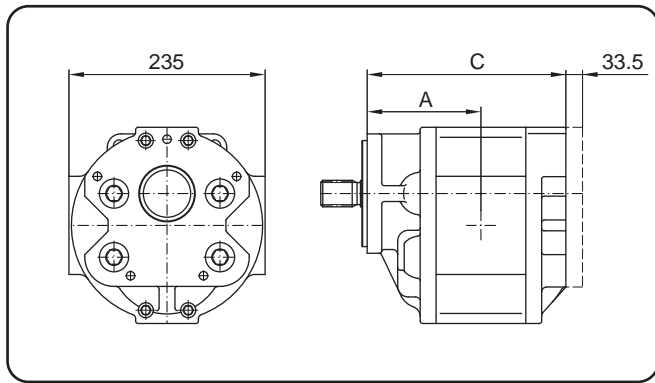
code C 3100 Model 3

Visible-bleed drilling Suitable for drives with no load for direct mounting on torque converters and gear boxes

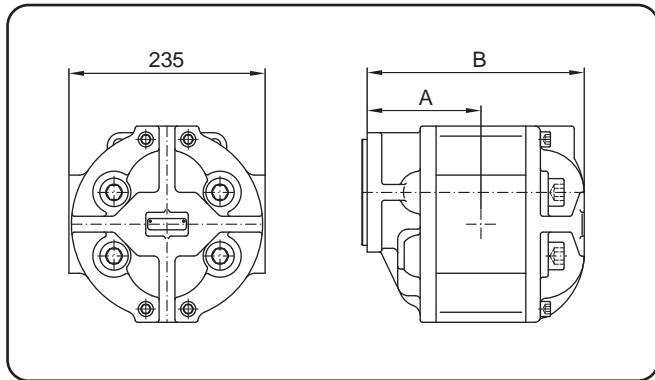
MODEL 1



Single unit



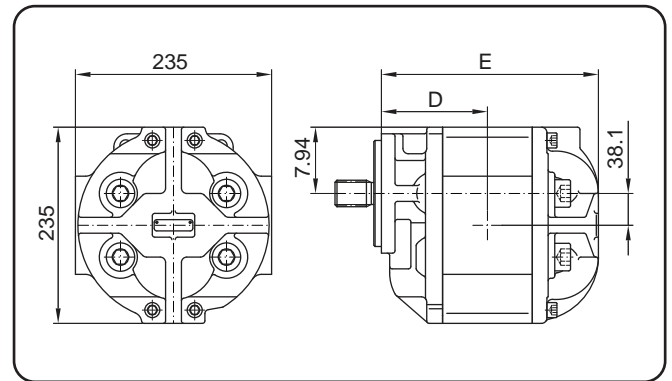
Front unit



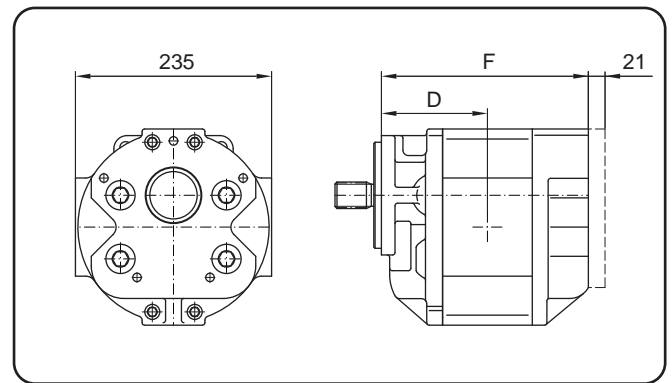
Rear unit

SIZE	A	B	C	WEIGHT [kg]
3115	111	210	188	41,8
3120	118	222	200	45,0

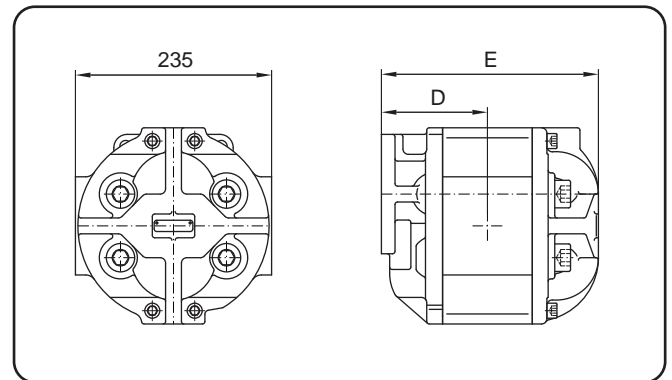
MODEL 3



Single unit



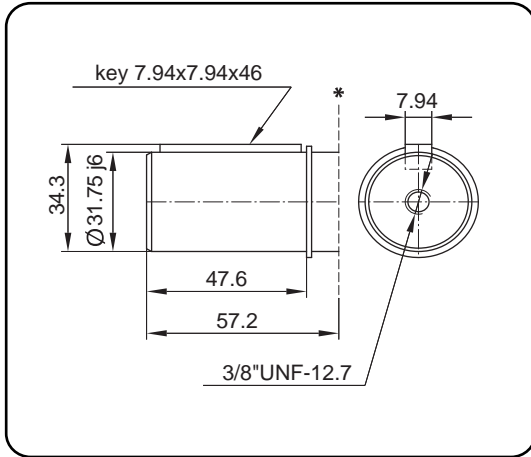
Front unit



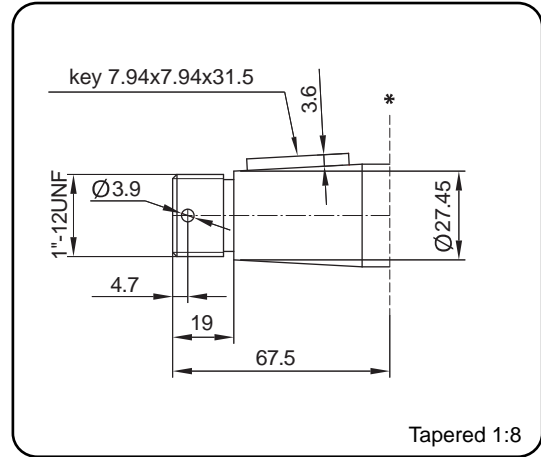
Rear unit

SIZE	D	E	F	WEIGHT [kg]
3120	117,5	241	229	54,5
3125	124	254	242	58,1
3130	130,5	267	255	61,7
3135	136,5	279	267	64,3

SHAFTS WITH KEY

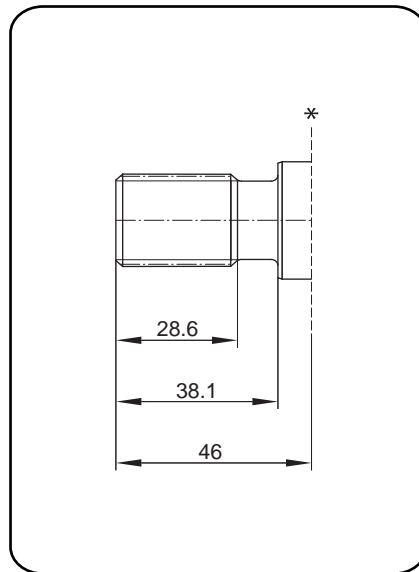


code G



code L

INVOLUTE SPLINE SHAFTS

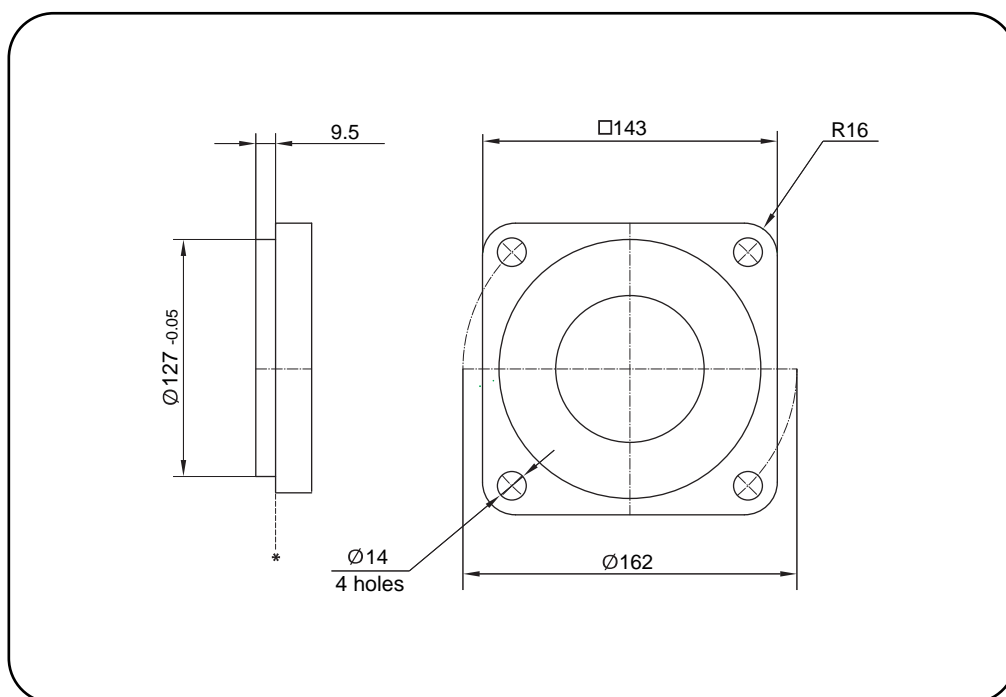


code C

* standard flange mounting surface

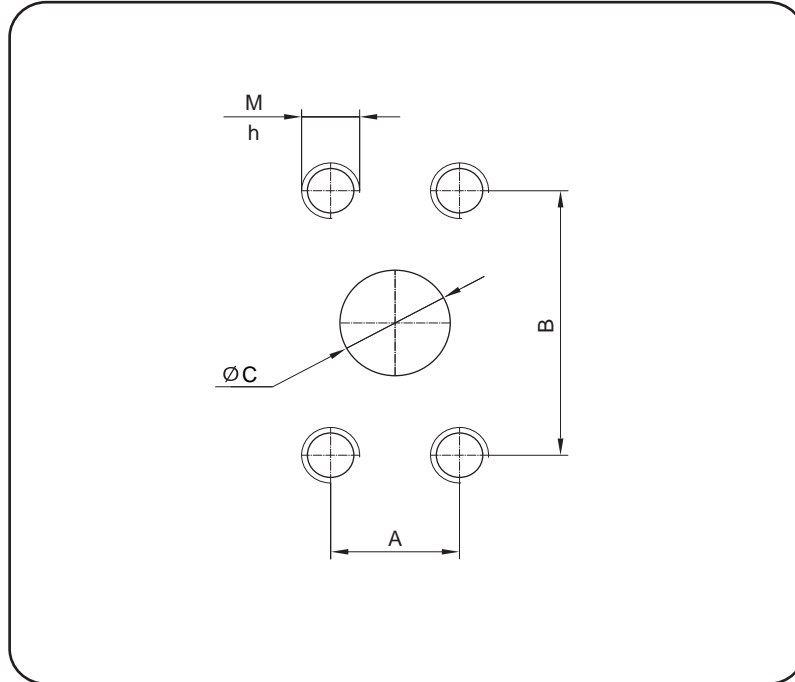
	size	side fit	diametral pitch	pressure angle	number of teeth	major diameter
code C	SAE C	flat root	12/24	30°	14	31,20/ 31,12
	1 1/4"					

SAE C



code 5

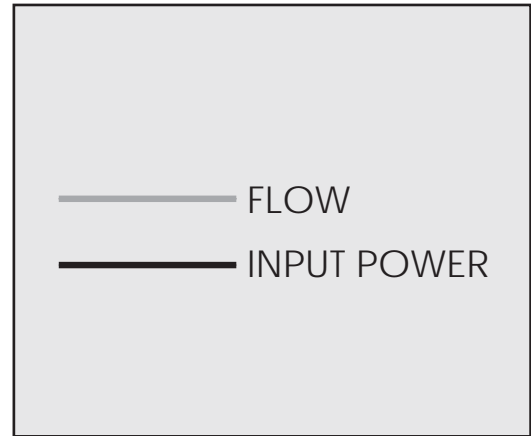
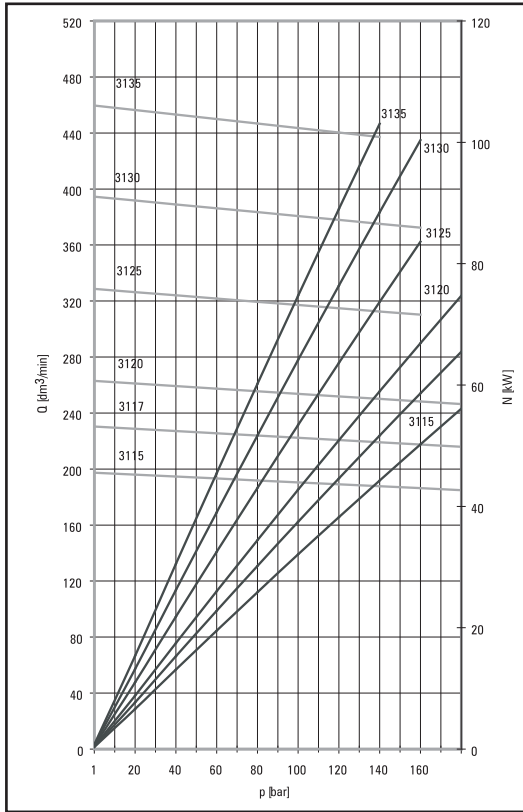
* standard flange mounting surface



MOTORS							TYPE	PUMPS																								
INLET/OUTLET								INLET					OUTLET																			
B1		B1/B25			B25			B2		B2/B26			B26		B2		B2/B26			B26												
M	h	A	B	C	M	h		M	h	A	B	C	M	h	M	h	A	B	C	M	h											
1/2-13 UNC	21	30,2	58,7	31	M12	20	3115	1/2-13 UNC	21	35,7	69,8	38	M12	25	7/16-14UNC	19	30,2	58,7	31	M12	25											
		35,7	69,8	38			42,9			77,8	50	35,7					69,8	38														
		42,9	77,8	50			50,8			88,9	63,5	42,9					77,8	50														

GEAR PUMPS AND MOTORS HAMWORTHY SERIES

PUMP CHARACTERISTICS



*Characteristic at shaft speed 1500 r.p.m.

3100 SERIES

GEAR PUMPS AND MOTORS HAMWORTHY SERIES

DRIVE SHAFT

POWER LIMITATIONS

